

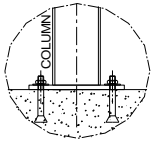
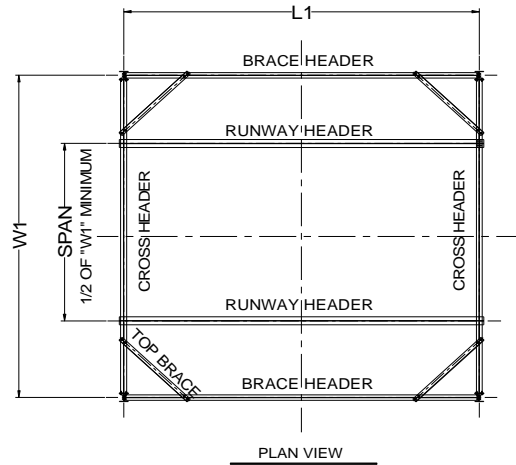


42827 Irwin Drive
 Harrison Twp. MI 48045 USA
 P/ 586-468-0909 F/ 586-468-2711
 E/ info@mccrane.com W/ mccrane.com

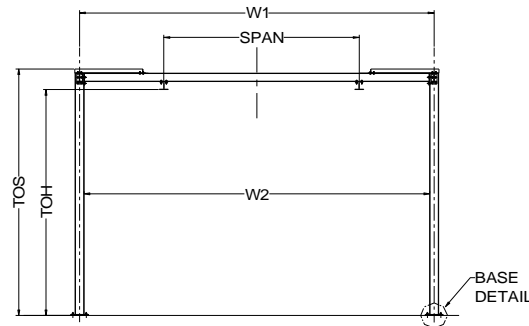
DIMENSIONS & WEIGHTS - TYPE FSET
4,000# CAPACITY FREE STANDING RUNWAY
STRUCTURE FOR HAND OPERATED CRANE

GENERAL NOTES:

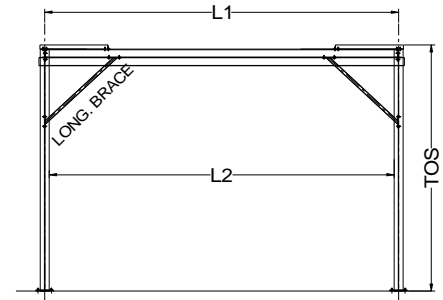
- System capacity shown is for the sum of live loads and dead loads suspended from bridge. Structures listed are for hand operated enclosed track crane or monorail systems only.
- Capacities shown are for One-(2) runway rail or One (1) monorail system only.
- Crane spans for runway systems must equal 1/2 the system width or greater (within limits of structure width). Loads must be kept within footprint of structure.
- For non-standard lengths, widths, or heights; use next larger structure and order with exact dimensions required.
- Structure kit include: ACAD system installation drawing specific for order, all structural steel work per attached concept drawing, bolting hardware, anchoring hardware for 8" minimum floor thickness, and gray primer paint finish.



BASE DETAIL



END VIEW



LONGITUDINAL VIEW

4,000# CAPACITY / 15 FT (TOS) SYSTEM HEIGHT										4,000# CAPACITY / 20 FT (TOS) SYSTEM HEIGHT									
ITEM #	SYSTEM I.D. NUMBER	LENGTH L1 (FT)	WIDTH W1 (FT)	HEIGHT TOS (FT)	HEIGHT TOH (FT)	SYSTEM WT. (LBS)	LENGTH L2 (FT)	WIDTH W2 (FT)	# COL'S. TOTAL	ITEM #	SYSTEM I.D. NUMBER	LENGTH L1 (FT)	WIDTH W1 (FT)	HEIGHT TOS (FT)	HEIGHT TOH (FT)	SYSTEM WT. (LBS)	LENGTH L2 (FT)	WIDTH W2 (FT)	# COL'S. TOTAL
1	FSET-4000-09-10-15	9.00	10.00	15.00	13.58	2915	8.33	9.33	4	31	FSET-4000-09-10-20	9.00	10.00	20.00	18.58	3955	8.33	9.33	4
2	FSET-4000-19-10-15	19.00	10.00	15.00	13.58	3695	18.33	9.33	4	32	FSET-4000-19-10-20	19.00	10.00	20.00	18.58	4735	18.33	9.33	4
3	FSET-4000-29-10-15	29.00	10.00	15.00	13.42	4997	28.33	9.33	4	33	FSET-4000-29-10-20	29.00	10.00	20.00	18.42	6037	28.33	9.33	4
4	FSET-4000-39-10-15	39.00	10.00	15.00	13.58	6466	38.33	9.33	6	34	FSET-4000-39-10-20	39.00	10.00	20.00	18.58	8026	38.33	9.33	6
5	FSET-4000-49-10-15	49.00	10.00	15.00	13.42	8128	48.33	9.33	6	35	FSET-4000-49-10-20	49.00	10.00	20.00	18.42	9688	48.33	9.33	6
6	FSET-4000-59-10-15	59.00	10.00	15.00	13.42	9088	58.33	9.33	6	36	FSET-4000-59-10-20	59.00	10.00	20.00	18.42	10648	58.33	9.33	6
7	FSET-4000-69-10-15	69.00	10.00	15.00	13.42	11259	68.33	9.33	8	37	FSET-4000-69-10-20	69.00	10.00	20.00	18.42	13339	68.33	9.33	8
8	FSET-4000-79-10-15	79.00	10.00	15.00	13.42	12219	78.33	9.33	8	38	FSET-4000-79-10-20	79.00	10.00	20.00	18.42	14299	78.33	9.33	8
9	FSET-4000-89-10-15	89.00	10.00	15.00	13.42	13179	88.33	9.33	8	39	FSET-4000-89-10-20	89.00	10.00	20.00	18.42	15259	88.33	9.33	8
10	FSET-4000-99-10-15	99.00	10.00	15.00	13.42	15350	98.33	9.33	10	40	FSET-4000-99-10-20	99.00	10.00	20.00	18.42	17950	98.33	9.33	10
11	FSET-4000-09-20-15	9.00	20.00	15.00	13.42	3455	8.33	19.33	4	41	FSET-4000-09-20-20	9.00	20.00	20.00	18.42	4495	8.33	19.33	4
12	FSET-4000-19-20-15	19.00	20.00	15.00	13.42	4235	18.33	19.33	4	42	FSET-4000-19-20-20	19.00	20.00	20.00	18.42	5275	18.33	19.33	4
13	FSET-4000-29-20-15	29.00	20.00	15.00	13.25	5537	28.33	19.33	4	43	FSET-4000-29-20-20	29.00	20.00	20.00	18.25	6577	28.33	19.33	4
14	FSET-4000-39-20-15	39.00	20.00	15.00	13.42	7276	38.33	19.33	6	44	FSET-4000-39-20-20	39.00	20.00	20.00	18.42	8836	38.33	19.33	6
15	FSET-4000-49-20-15	49.00	20.00	15.00	13.25	8938	48.33	19.33	6	45	FSET-4000-49-20-20	49.00	20.00	20.00	18.25	10498	48.33	19.33	6
16	FSET-4000-59-20-15	59.00	20.00	15.00	13.25	9898	58.33	19.33	6	46	FSET-4000-59-20-20	59.00	20.00	20.00	18.25	11458	58.33	19.33	6
17	FSET-4000-69-20-15	69.00	20.00	15.00	13.25	12339	68.33	19.33	8	47	FSET-4000-69-20-20	69.00	20.00	20.00	18.25	14419	68.33	19.33	8
18	FSET-4000-79-20-15	79.00	20.00	15.00	13.25	13299	78.33	19.33	8	48	FSET-4000-79-20-20	79.00	20.00	20.00	18.25	15379	78.33	19.33	8
19	FSET-4000-89-20-15	89.00	20.00	15.00	13.25	14259	88.33	19.33	8	49	FSET-4000-89-20-20	89.00	20.00	20.00	18.25	16339	88.33	19.33	8
20	FSET-4000-99-20-15	99.00	20.00	15.00	13.25	16700	98.33	19.33	10	50	FSET-4000-99-20-20	99.00	20.00	20.00	18.25	19300	98.33	19.33	10
21	FSET-4000-09-25-15	9.00	25.00	15.00	13.42	3815	8.33	24.33	4	51	FSET-4000-09-25-20	9.00	25.00	20.00	18.42	4855	8.33	24.33	4
22	FSET-4000-19-25-15	19.00	25.00	15.00	13.42	4595	18.33	24.33	4	52	FSET-4000-19-25-20	19.00	25.00	20.00	18.42	5635	18.33	24.33	4
23	FSET-4000-29-25-15	29.00	25.00	15.00	13.25	5897	28.33	24.33	4	53	FSET-4000-29-25-20	29.00	25.00	20.00	18.25	6937	28.33	24.33	4
24	FSET-4000-39-25-15	39.00	25.00	15.00	13.42	7816	38.33	24.33	6	54	FSET-4000-39-25-20	39.00	25.00	20.00	18.42	9376	38.33	24.33	6
25	FSET-4000-49-25-15	49.00	25.00	15.00	13.25	9478	48.33	24.33	6	55	FSET-4000-49-25-20	49.00	25.00	20.00	18.25	11038	48.33	24.33	6
26	FSET-4000-59-25-15	59.00	25.00	15.00	13.25	10438	58.33	24.33	6	56	FSET-4000-59-25-20	59.00	25.00	20.00	18.25	11998	58.33	24.33	6
27	FSET-4000-69-25-15	69.00	25.00	15.00	13.25	13059	68.33	24.33	8	57	FSET-4000-69-25-20	69.00	25.00	20.00	18.25	15139	68.33	24.33	8
28	FSET-4000-79-25-15	79.00	25.00	15.00	13.25	14019	78.33	24.33	8	58	FSET-4000-79-25-20	79.00	25.00	20.00	18.25	16099	78.33	24.33	8
29	FSET-4000-89-25-15	89.00	25.00	15.00	13.25	14979	88.33	24.33	8	59	FSET-4000-89-25-20	89.00	25.00	20.00	18.25	17059	88.33	24.33	8
30	FSET-4000-99-25-15	99.00	25.00	15.00	13.25	17600	98.33	24.33	10	60	FSET-4000-99-25-20	99.00	25.00	20.00	18.25	20200	98.33	24.33	10