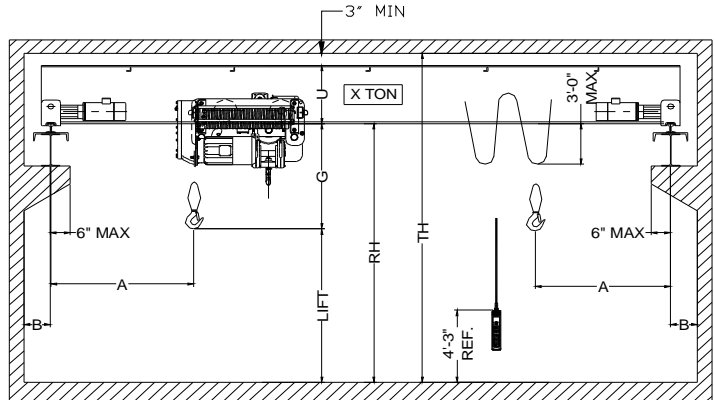
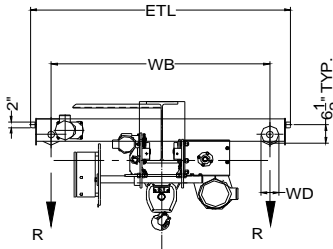
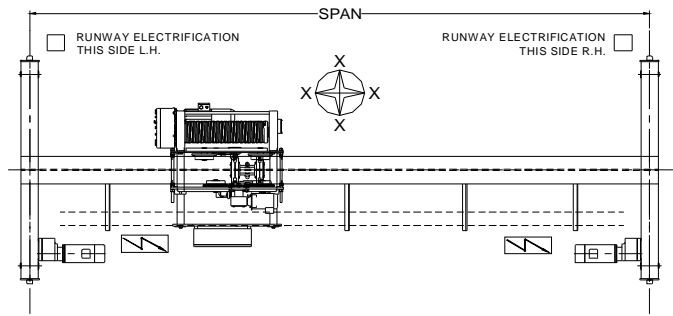




42827 Irwin Drive
 Harrison Twp. MI 48045 USA
 P/ 586-468-0909 F/ 586-468-2711
 E/ info@mccrane.com W/ mccrane.com

**DIMENSIONS & WEIGHTS - TYPE TRSGWS
 15-TON TOP RUNNING SINGLE
 GIRDER CRANE WITH WIRE ROPE HOIST**



HOIST MFG:	SHAW BOX OR YALE	TROLLEY MFG:	SHAW BOX OR YALE	ENDTRUCK MFG.:	CRANESOURCE
------------	------------------	--------------	------------------	----------------	-------------

CRANE DATA TABLE PART-A

CRANE MODEL #	CRANE CAP. U.S. TONS	SPAN FEET	DIMENSIONS									BRIDGE WT. LBS.	TROLLEY WT. LBS.	SHIP WT. LBS.	MAX. W/L R (LBS)
			A (IN)	B (IN)	G (IN)	U (IN)	WB (IN)	REEVING	ETL (IN)	LIFT (FT)	TH				
TRSGWS-15-18	15.0	18	52	7	33	26	75	4PS-15mm	90	25	3,722	2,830	6,552	13,394	
TRSGWS-15-22	15.0	22	52	7	33	26	75	4PS-15mm	90	25	4,310	2,830	7,140	14,259	
TRSGWS-15-26	15.0	26	52	7	33	29	75	4PS-15mm	90	25	5,262	2,830	8,092	14,995	
TRSGWS-15-30	15.0	30	52	7	33	29	75	4PS-15mm	90	25	6,386	2,830	9,216	15,640	
TRSGWS-15-34	15.0	34	52	7	33	29	75	4PS-15mm	90	25	7,094	2,830	9,924	16,096	
TRSGWS-15-38	15.0	38	52	7	33	29	75	4PS-15mm	90	25	7,802	2,830	10,632	16,494	
TRSGWS-15-42	15.0	42	52	8	33	32	75	4PS-15mm	93	25	9,601	2,830	12,431	17,122	
TRSGWS-15-46	15.0	46	52	8	33	35	75	4PS-15mm	93	25	10,971	2,830	13,801	17,611	
TRSGWS-15-50	15.0	50	52	8	33	37	90	4PS-15mm	108	25	10,215	2,830	13,045	17,546	
TRSGWS-15-54	15.0	54	52	8	33	39	90	4PS-15mm	108	25	11,119	2,830	13,949	17,877	
TRSGWS-15-58	15.0	58	52	8	33	41	90	4PS-15mm	108	25	11,997	2,830	14,827	18,188	
TRSGWS-15-62	15.0	62	52	8	33	43	108	4PS-15mm	128	25	12,936	2,830	15,766	18,502	
TRSGWS-15-66	15.0	66	52	8	33	43	108	4PS-15mm	128	25	14,130	2,830	16,960	18,870	
TRSGWS-15-70	15.0	70	52	8	33	47	108	4PS-15mm	128	25	16,220	2,830	19,050	19,454	
TRSGWS-15-74	15.0	74	52	8	33	49	126	4PS-15mm	146	25	17,556	2,830	20,386	19,843	
TRSGWS-15-78	15.0	78	52	8	33	51	126	4PS-15mm	146	25	18,724	2,830	21,554	20,184	
TRSGWS-15-82	15.0	82	52	8	33	53	126	4PS-15mm	146	25	20,006	2,830	22,836	20,549	

DASHED RED LINE INDICATES SINGLE WEB BEAM TO DOUBLE WEB BOX TRANSITION LINE

CRANE DATA TABLE PART-B

CRANE MODEL #	ENDTRUCK MODEL #	TROLLEY-HOIST MODEL #	HOIST SPD FPM	HOIST HP	TROLLEY SPD FPM	TROLLEY HP	BRIDGE SPD FPM	BRIDGE HP.	TROLLEY WD (IN)	BRIDGE WD (IN)	STD. POWER	FULL LOAD AMPS 460V	ASCE RAIL
TRSGWS-15-18	200TS040H*15	WD3M15-025S18-2	18/4.5 TS	20/5	50/17 TS	1.00.33	100 VFC	2 X 1.5	7.00	8.00	460	40	40
TRSGWS-15-22	200TS040H*15	WD3M15-025S18-2	18/4.5 TS	20/5	50/17 TS	1.00.33	100 VFC	2 X 1.5	7.00	8.00	460	40	40
TRSGWS-15-26	200TS040H*15	WD3M15-025S18-2	18/4.5 TS	20/5	50/17 TS	1.00.33	100 VFC	2 X 1.5	7.00	8.00	460	40	40
TRSGWS-15-30	200TS040H*15	WD3M15-025S18-2	18/4.5 TS	20/5	50/17 TS	1.00.33	100 VFC	2 X 1.5	7.00	8.00	460	40	40
TRSGWS-15-34	200TS040H*15	WD3M15-025S18-2	18/4.5 TS	20/5	50/17 TS	1.00.33	100 VFC	2 X 1.5	7.00	8.00	460	40	40
TRSGWS-15-38	200TS040H*15	WD3M15-025S18-2	18/4.5 TS	20/5	50/17 TS	1.00.33	100 VFC	2 X 1.5	7.00	8.00	460	40	40
TRSGWS-15-42	260TS040H*20	WD3M15-025S18-2	18/4.5 TS	20/5	50/17 TS	1.00.33	100 VFC	2 X 2.0	7.00	10.20	460	40	40
TRSGWS-15-46	260TS040H*20	WD3M15-025S18-2	18/4.5 TS	20/5	50/17 TS	1.00.33	100 VFC	2 X 2.0	7.00	10.20	460	40	40
TRSGWS-15-50	260TS040L*20	WD3M15-025S18-2	18/4.5 TS	20/5	50/17 TS	1.00.33	100 VFC	2 X 2.0	7.00	10.20	460	40	40
TRSGWS-15-54	260TS040L*20	WD3M15-025S18-2	18/4.5 TS	20/5	50/17 TS	1.00.33	100 VFC	2 X 2.0	7.00	10.20	460	40	40
TRSGWS-15-58	260TS040L*20	WD3M15-025S18-2	18/4.5 TS	20/5	50/17 TS	1.00.33	100 VFC	2 X 2.0	7.00	10.20	460	40	40
TRSGWS-15-62	C/S #TRFA10108BR3	WD3M15-025S18-2	18/4.5 TS	20/5	50/17 TS	1.00.33	100 VFC	2 X 2.0	7.00	10.00	460	40	60/80
TRSGWS-15-66	C/S #TRFA10108BR3	WD3M15-025S18-2	18/4.5 TS	20/5	50/17 TS	1.00.33	100 VFC	2 X 2.0	7.00	10.00	460	40	60/80
TRSGWS-15-70	C/S #TRFA10108BR3	WD3M15-025S18-2	18/4.5 TS	20/5	50/17 TS	1.00.33	100 VFC	2 X 2.0	7.00	10.00	460	40	60/80
TRSGWS-15-74	C/S #TRFA10126BR3	WD3M15-025S18-2	18/4.5 TS	20/5	50/17 TS	1.00.33	100 VFC	2 X 2.0	7.00	10.00	460	40	60/80
TRSGWS-15-78	C/S #TRFA10126BR3	WD3M15-025S18-2	18/4.5 TS	20/5	50/17 TS	1.00.33	100 VFC	2 X 2.0	7.00	10.00	460	40	60/80
TRSGWS-15-82	C/S #TRFA10126BR3	WD3M15-025S18-2	18/4.5 TS	20/5	50/17 TS	1.00.33	100 VFC	2 X 2.0	7.00	10.00	460	40	60/80

SPEED CODES:	TS	TWO SPEED OPERATION WITH SOFT START
	VFC	VARIABLE SPEED CONTROL 2-STEP INFINITELY VARIABLE

* TROLLEY OPTION AVAILABLE AT 80/27 FPM T/S OR 80FPM VFC

** BRIDGE OPTION AVAILABLE AT 70 FPM VFC

*** HOIST OPTION OF 40FT LIFT IS AVAILABLE

GENERAL NOTES:

DIMENSIONS "RH" AND "TH" ARE SPECIFIED BY CUSTOMER
 DIMENSION "A" IS APPROX. AND DOES NOT CONSIDER MAINLINE
 WHEEL LOAD "R" DOES NOT INCLUDE IMPACT
 CRANE ALSO AVAILABLE AT 230/3/60 AND 575/3/60 POWER