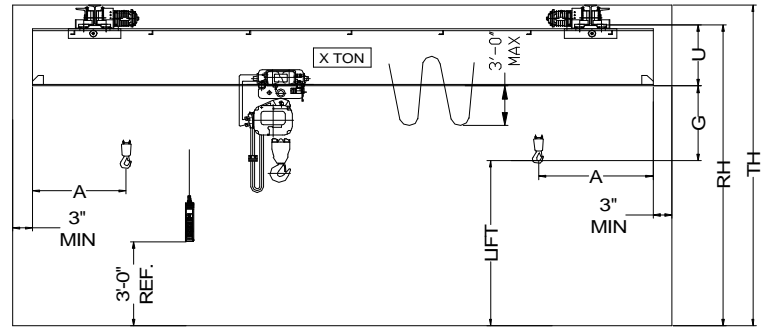
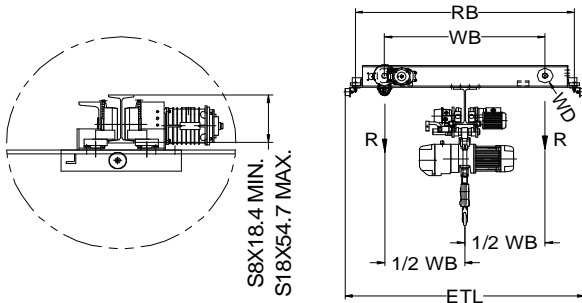
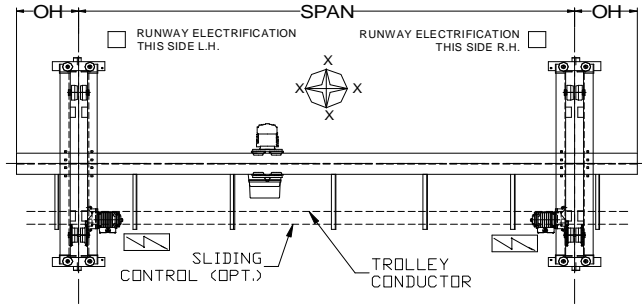




42827 Irwin Drive
 Harrison Twp. MI 48045 USA
 P/ 586-468-0909 F/ 586-468-2711
 E/ info@mccrane.com W/ mccrane.com

**DIMENSIONS & WEIGHTS - TYPE URSGCH
 3-TON UNDER RUNNING SINGLE
 GIRDER CRANE WITH CHAIN HOIST**



HOIST MFG: HARRINGTON TROLLEY MFG: HARRINGTON ENDTRUCK MFG.: HARRINGTON

CRANE DATA TABLE PART-A

CRANE MODEL #	CRANE CAP. U.S. TONS	SPAN FEET	DIMENSIONS								LIFT (FT)	BRIDGE WT. LBS.	TROLLEY WT. LBS.	SHIP WT. LBS.	MAX. WL R (LBS)
			A (IN)	OH (IN)	G (IN)	U (IN)	WB (IN)	RB (IN)	ETL (IN)						
URSGCH-03-18	3	18	22	12	33	15	35	53	60	20	1,531	429	1,960	3,597	
URSGCH-03-22	3	22	22	12	33	15	35	53	60	20	1,855	429	2,284	3,678	
URSGCH-03-26	3	26	22	12	33	15	35	53	60	20	2,219	429	2,648	3,769	
URSGCH-03-30	3	30	22	12	33	17	35	53	60	20	2,719	429	3,148	3,894	
URSGCH-03-34	3	34	22	12	33	17	35	53	60	20	3,283	429	3,712	4,035	
URSGCH-03-38	3	38	22	12	33	19	57	75	82	20	3,968	429	4,397	4,207	
URSGCH-03-42	3	42	22	12	33	21	57	75	82	20	4,696	429	5,125	4,389	
URSGCH-03-46	3	46	22	12	33	21	57	75	82	20	5,544	429	5,973	4,601	
URSGCH-03-50	3	50	22	12	33	24	57	75	82	20	6,732	429	7,161	4,898	

CRANE DATA TABLE PART-B

CRANE MODEL #	ENDTRUCK MODEL #	TROLLEY-HOIST MODEL #	HOIST SPD FPM	HOIST HP	TROLLEY SPD FPM	TROLLEY HP	BRIDGE SPD FPM	BRIDGE HP	TROLLEY WD (IN)	BRIDGE WD (IN)	STD. POWER	FULL LOAD AMPS 460V	R.WAY FLANGE
URSGCH-03-18	UMS-3-0335	NERM-030CD-L-20	17/3 TS	4.70	40 SS	0.50	80 VFC	2 X 0.33	4.92	4.92	460	14	3"-6"
URSGCH-03-22	UMS-3-0335	NERM-030CD-L-20	17/3 TS	4.70	40 SS	0.50	80 VFC	2 X 0.33	4.92	4.92	460	14	3"-6"
URSGCH-03-26	UMS-3-0335	NERM-030CD-L-20	17/3 TS	4.70	40 SS	0.50	80 VFC	2 X 0.33	4.92	4.92	460	14	3"-6"
URSGCH-03-30	UMS-3-0335	NERM-030CD-L-20	17/3 TS	4.70	40 SS	0.50	80 VFC	2 X 0.33	4.92	4.92	460	14	3"-6"
URSGCH-03-34	UMS-3-0335	NERM-030CD-L-20	17/3 TS	4.70	40 SS	0.50	80 VFC	2 X 0.33	4.92	4.92	460	14	3"-6"
URSGCH-03-38	UMS-3-0350	NERM-030CD-L-20	17/3 TS	4.70	40 SS	0.50	80 VFC	2 X 0.33	4.92	4.92	460	14	3"-6"
URSGCH-03-42	UMS-3-0350	NERM-030CD-L-20	17/3 TS	4.70	40 SS	0.50	80 VFC	2 X 0.33	4.92	4.92	460	14	3"-6"
URSGCH-03-46	UMS-3-0350	NERM-030CD-L-20	17/3 TS	4.70	40 SS	0.50	80 VFC	2 X 0.33	4.92	4.92	460	14	3"-6"
URSGCH-03-50	UMS-3-0350	NERM-030CD-L-20	17/3 TS	4.70	40 SS	0.50	80 VFC	2 X 0.33	4.92	4.92	460	14	3"-6"

SPEED CODES:	SS	SINGLE SPEED OPERATION WITH SOFT START
	TS	TWO SPEED OPERATION WITH SOFT START
	VFC	VARIABLE SPEED CONTROL 2-STEP INFINITELY VARIABLE

GENERAL NOTES:
 DIMENSIONS "RH" AND "TH" ARE SPECIFIED BY CUSTOMER
 DIMENSION "A" IS APPROX. AND DOES NOT CONSIDER MAINLINE
 WHEEL LOAD "R" DOES NOT INCLUDE IMPACT
 CRANE ALSO AVAILABLE AT 208V/3/60 AND 230/3/60 POWER