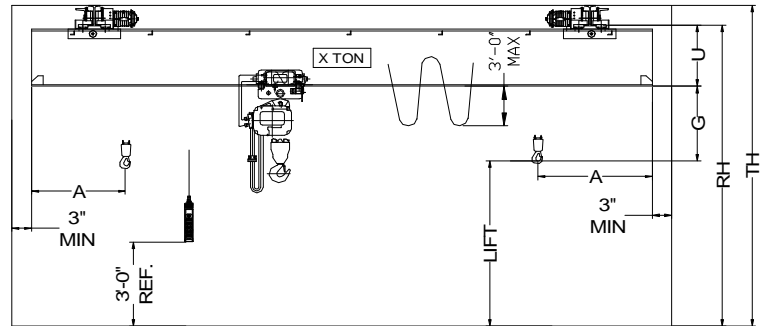
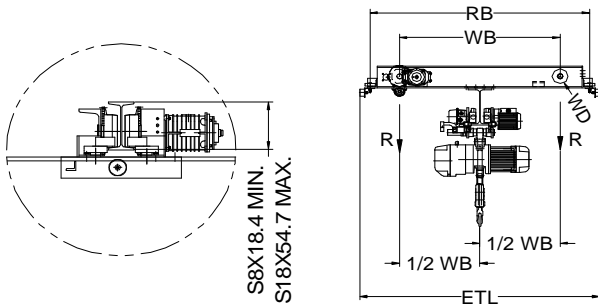
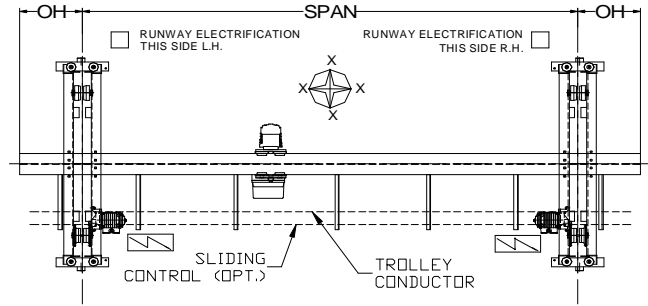




42827 Irwin Drive
 Harrison Twp. MI 48045 USA
 P/ 586-468-0909 F/ 586-468-2711
 E/ info@mccrane.com W/ mccrane.com

**DIMENSIONS & WEIGHTS - TYPE URSGCH
 2-TON UNDER RUNNING SINGLE
 GIRDER CRANE WITH CHAIN HOIST**



HOIST MFG: HARRINGTON TROLLEY MFG: HARRINGTON ENDTRUCK MFG.: HARRINGTON

CRANE DATA TABLE PART-A

CRANE MODEL #	CRANE CAP. U.S. TONS	SPAN FEET	DIMENSIONS								LIFT (FT)	BRIDGE WT. LBS.	TROLLEY WT. LBS.	SHIP WT. LBS.	MAX. WL R (LBS)
			A (IN)	OH (IN)	G (IN)	U (IN)	WB (IN)	RB (IN)	ETL (IN)						
URSGCH-02-18	2	18	20	12	23	13	39	53	60	20	1,392	271	1,663	2,484	
URSGCH-02-22	2	22	20	12	23	13	39	53	60	20	1,644	271	1,915	2,547	
URSGCH-02-26	2	26	20	12	23	15	39	53	60	20	2,032	271	2,303	2,644	
URSGCH-02-30	2	30	20	12	23	15	39	53	60	20	2,252	271	2,523	2,699	
URSGCH-02-34	2	34	20	12	23	17	39	53	60	20	2,940	271	3,211	2,871	
URSGCH-02-38	2	38	20	12	23	17	61	75	82	20	3,669	271	3,940	3,053	
URSGCH-02-42	2	42	20	12	23	17	61	75	82	20	3,973	271	4,244	3,129	
URSGCH-02-46	2	46	20	12	23	19	61	75	82	20	4,565	271	4,836	3,277	
URSGCH-02-50	2	50	20	12	23	21	61	75	82	20	5,361	271	5,632	3,476	

CRANE DATA TABLE PART-B

CRANE MODEL #	ENDTRUCK MODEL #	TROLLEY-HOIST MODEL #	HOIST SPD FPM	HOIST HP	TROLLEY SPD FPM	TROLLEY HP	BRIDGE SPD FPM	BRIDGE HP	TROLLEY WD (IN)	BRIDGE WD (IN)	STD. POWER	FULL LOAD AMPS 460V	R.WAY FLANGE
URSGCH-02-18	UMS-3-0235	NERM-020LD-L-20	14/2.5 TS	2.40	40 SS	0.50	80 VFC	2 X 0.33	4.33	4.33	460	9	3"-6"
URSGCH-02-22	UMS-3-0235	NERM-020LD-L-20	14/2.5 TS	2.40	40 SS	0.50	80 VFC	2 X 0.33	4.33	4.33	460	9	3"-6"
URSGCH-02-26	UMS-3-0235	NERM-020LD-L-20	14/2.5 TS	2.40	40 SS	0.50	80 VFC	2 X 0.33	4.33	4.33	460	9	3"-6"
URSGCH-02-30	UMS-3-0235	NERM-020LD-L-20	14/2.5 TS	2.40	40 SS	0.50	80 VFC	2 X 0.33	4.33	4.33	460	9	3"-6"
URSGCH-02-34	UMS-3-0235	NERM-020LD-L-20	14/2.5 TS	2.40	40 SS	0.50	80 VFC	2 X 0.33	4.33	4.33	460	9	3"-6"
URSGCH-02-38	UMS-3-0250	NERM-020LD-L-20	14/2.5 TS	2.40	40 SS	0.50	80 VFC	2 X 0.33	4.33	4.33	460	9	3"-6"
URSGCH-02-42	UMS-3-0250	NERM-020LD-L-20	14/2.5 TS	2.40	40 SS	0.50	80 VFC	2 X 0.33	4.33	4.33	460	9	3"-6"
URSGCH-02-46	UMS-3-0250	NERM-020LD-L-20	14/2.5 TS	2.40	40 SS	0.50	80 VFC	2 X 0.33	4.33	4.33	460	9	3"-6"
URSGCH-02-50	UMS-3-0250	NERM-020LD-L-20	14/2.5 TS	2.40	40 SS	0.50	80 VFC	2 X 0.33	4.33	4.33	460	9	3"-6"

SPEED CODES:	SS	SINGLE SPEED OPERATION WITH SOFT START
	TS	TWO SPEED OPERATION WITH SOFT START
	VFC	VARIABLE SPEED CONTROL 2-STEP INFINITELY VARIABLE

GENERAL NOTES:
 DIMENSIONS "RH" AND "TH" ARE SPECIFIED BY CUSTOMER
 DIMENSION "A" IS APPROX. AND DOES NOT CONSIDER MAINLINE
 WHEEL LOAD "R" DOES NOT INCLUDE IMPACT
 CRANE ALSO AVAILABLE AT 208V/3/60 AND 230/3/60 POWER