



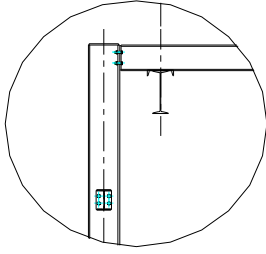
**MT. CLEMENS CRANE**

42827 Irwin Drive  
 Harrison Twp. MI 48045 USA  
 P/ 586-468-0909 F/ 586-468-2711  
 E/ info@mccrane.com W/ mccrane.com

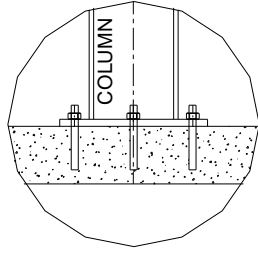
**DIMENSIONS & WEIGHTS - TYPE FSUM-10000**  
**5-TON CAPACITY FREE STANDING RUNWAY**  
**STRUCTURE FOR MOTORIZED CRANE - 25FT TOS**

**GENERAL NOTES:**

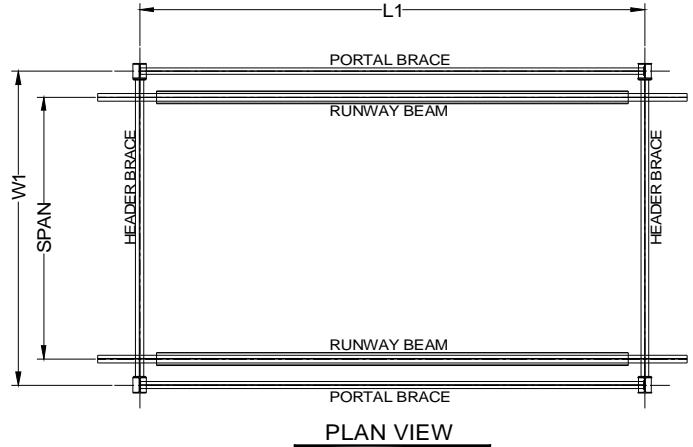
1. Base runway cell is a braced cell. Additional cells can be unbraced cell up to (3). Every fourth cell must be a braced cell.
2. Capacities shown are for One (1) Crane at rated capacity.
3. Runway designed for MCC standard crane types: URSGCH, URSGWR, URSGWD, or URSGWS. Special or customer supplied cranes require review of structure for specific crane design
4. For non-standard lengths, widths, or heights; use next larger structure and order with exact dimensions required.
5. Structure kit includes: ACAD system installation drawing specific for order, all structural steel work per attached concept drawing, bolting hardware, anchoring hardware for 8" minimum floor thickness, and gray primer paint finish.
6. Structure deflection is approximately 1/2" maximum in all directions. Please contact MCC if additional deflection control is required.
7. Minimum 8" reinforced concrete (min.4000psi) floor required for all structures.



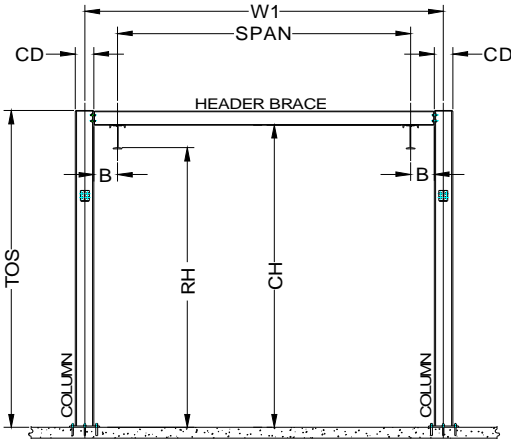
**FRAMING DETAIL**



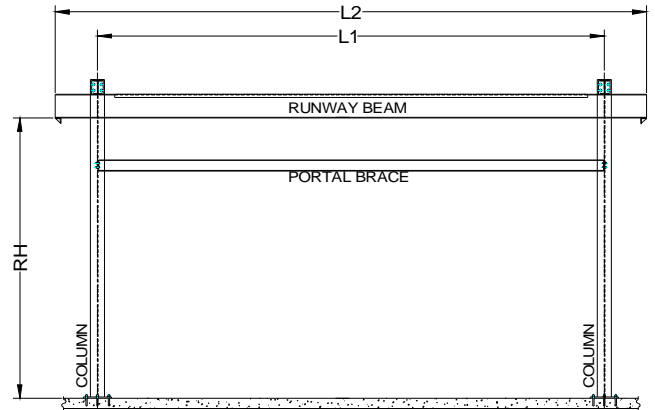
**BASE DETAIL**



**PLAN VIEW**



**END VIEW**



**LONGITUDINAL VIEW**

**5-TON CAPACITY / 25 FT (TOS) SYSTEM HEIGHT**

ITEM #	SYSTEM I.D. NUMBER	LENGTH L1 (FT)	WIDTH W1 (FT)	HEIGHT TOS (FT)	HEIGHT RH (FT)	SPAN (FT)	LENGTH L2 (FT)	HEIGHT CH (FT)	WIDTH CD (IN)	WIDTH B (IN)	SYSTEM WT. (LBS)	# COL'S. TOTAL
1	FSUM-10000-20-20-25	20.00	20.00	25.00	23.17	16.67	25.00	24.17	12.00	14.00	12,565	4
2	FSUM-10000-25-20-25	25.00	20.00	25.00	22.92	16.67	30.00	24.17	12.00	14.00	13,961	4
3	FSUM-10000-30-20-25	30.00	20.00	25.00	22.67	16.67	35.00	24.17	12.00	14.00	16,158	4
4	FSUM-10000-20-25-25	20.00	25.00	25.00	23.00	21.67	25.00	24.00	12.00	14.00	13,170	4
5	FSUM-10000-25-25-25	25.00	25.00	25.00	22.75	21.67	30.00	24.00	12.00	14.00	14,566	4
6	FSUM-10000-30-25-25	30.00	25.00	25.00	22.50	21.67	35.00	24.00	12.00	14.00	16,763	4
7	FSUM-10000-20-30-25	20.00	30.00	25.00	22.83	26.67	25.00	23.83	12.00	14.00	13,753	4
8	FSUM-10000-25-30-25	25.00	30.00	25.00	22.58	26.67	30.00	23.83	12.00	14.00	15,149	4
9	FSUM-10000-30-30-25	30.00	30.00	25.00	22.33	26.67	35.00	23.83	12.00	14.00	17,346	4
10	FSUM-10000-20-35-25	20.00	35.00	25.00	22.67	31.67	25.00	23.67	12.00	14.00	14,325	4
11	FSUM-10000-25-35-25	25.00	35.00	25.00	22.42	31.67	30.00	23.67	12.00	14.00	15,721	4
12	FSUM-10000-30-35-25	30.00	35.00	25.00	22.17	31.67	35.00	23.67	12.00	14.00	17,918	4
13	FSUM-10000-20-40-25	20.00	40.00	25.00	22.67	36.67	25.00	23.67	12.00	14.00	16,261	4
14	FSUM-10000-25-40-25	25.00	40.00	25.00	22.42	36.67	30.00	23.67	12.00	14.00	17,657	4
15	FSUM-10000-30-40-25	30.00	40.00	25.00	22.17	36.67	35.00	23.67	12.00	14.00	19,854	4
16	FSUM-10000-20-45-25	20.00	45.00	25.00	22.50	41.67	25.00	23.50	12.00	14.00	17,185	4
17	FSUM-10000-25-45-25	25.00	45.00	25.00	22.25	41.67	30.00	23.50	12.00	14.00	18,581	4
18	FSUM-10000-30-45-25	30.00	45.00	25.00	22.00	41.67	35.00	23.50	12.00	14.00	20,778	4
19	FSUM-10000-20-50-25	20.00	50.00	25.00	22.50	46.67	25.00	23.50	12.00	14.00	20,413	4
20	FSUM-10000-25-50-25	25.00	50.00	25.00	22.25	46.67	30.00	23.50	12.00	14.00	21,809	4
21	FSUM-10000-30-50-25	30.00	50.00	25.00	22.00	46.67	35.00	23.50	12.00	14.00	24,006	4

**ADDTL. CELL LENGTH**

ADDTL. LGTH (FT)	ADDTL. WT. (LBS)	ADDTL. COL'S. (EA)
20.00	5,361	2
25.00	6,349	2
30.00	7,829	2
20.00	5,664	2
25.00	6,652	2
30.00	8,132	2
20.00	5,955	2
25.00	6,943	2
30.00	8,423	2
20.00	6,241	2
25.00	7,229	2
30.00	8,709	2
20.00	7,209	2
25.00	8,197	2
30.00	9,677	2
20.00	7,671	2
25.00	8,659	2
30.00	10,139	2
20.00	8,881	2
25.00	9,869	2
30.00	11,349	2